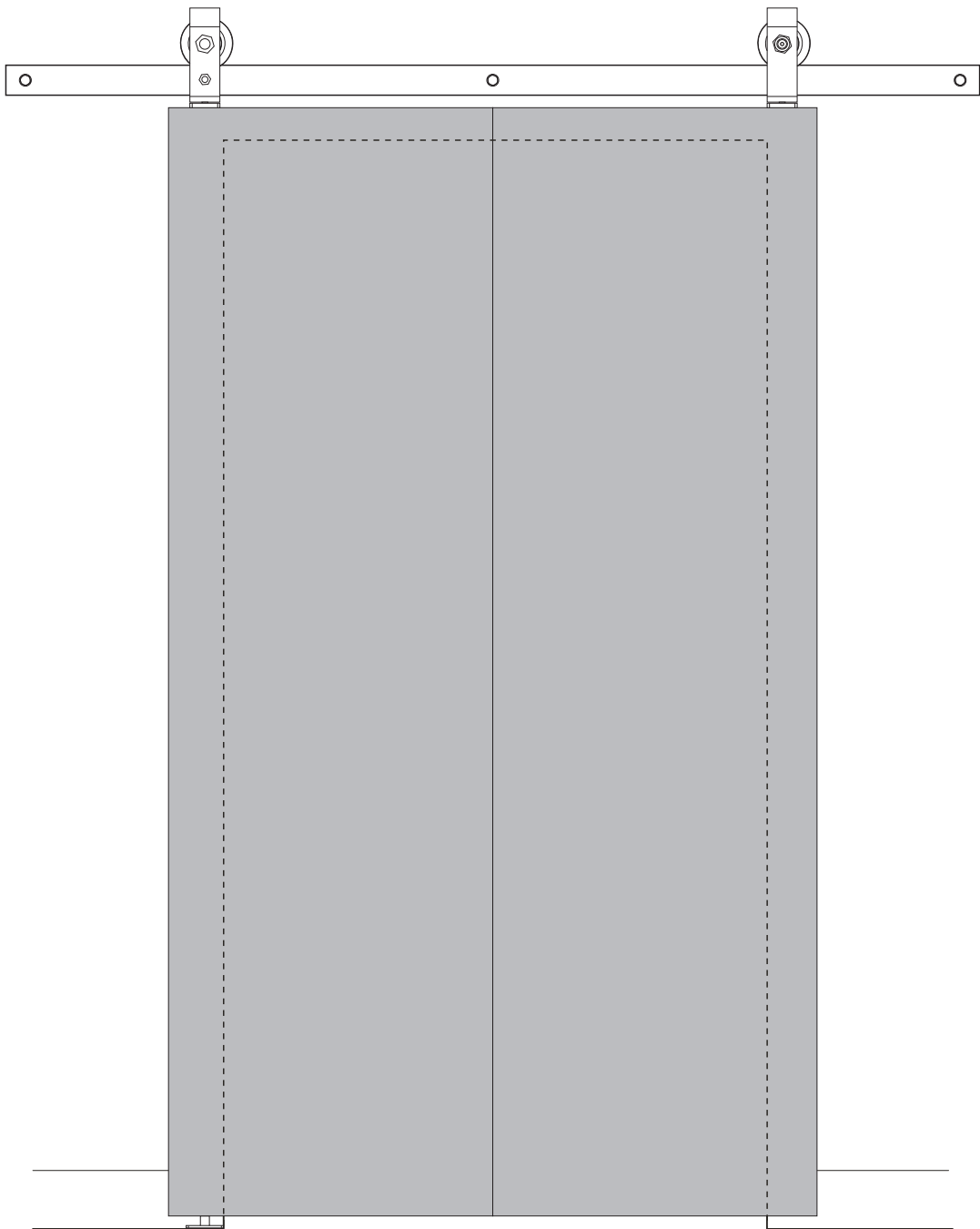
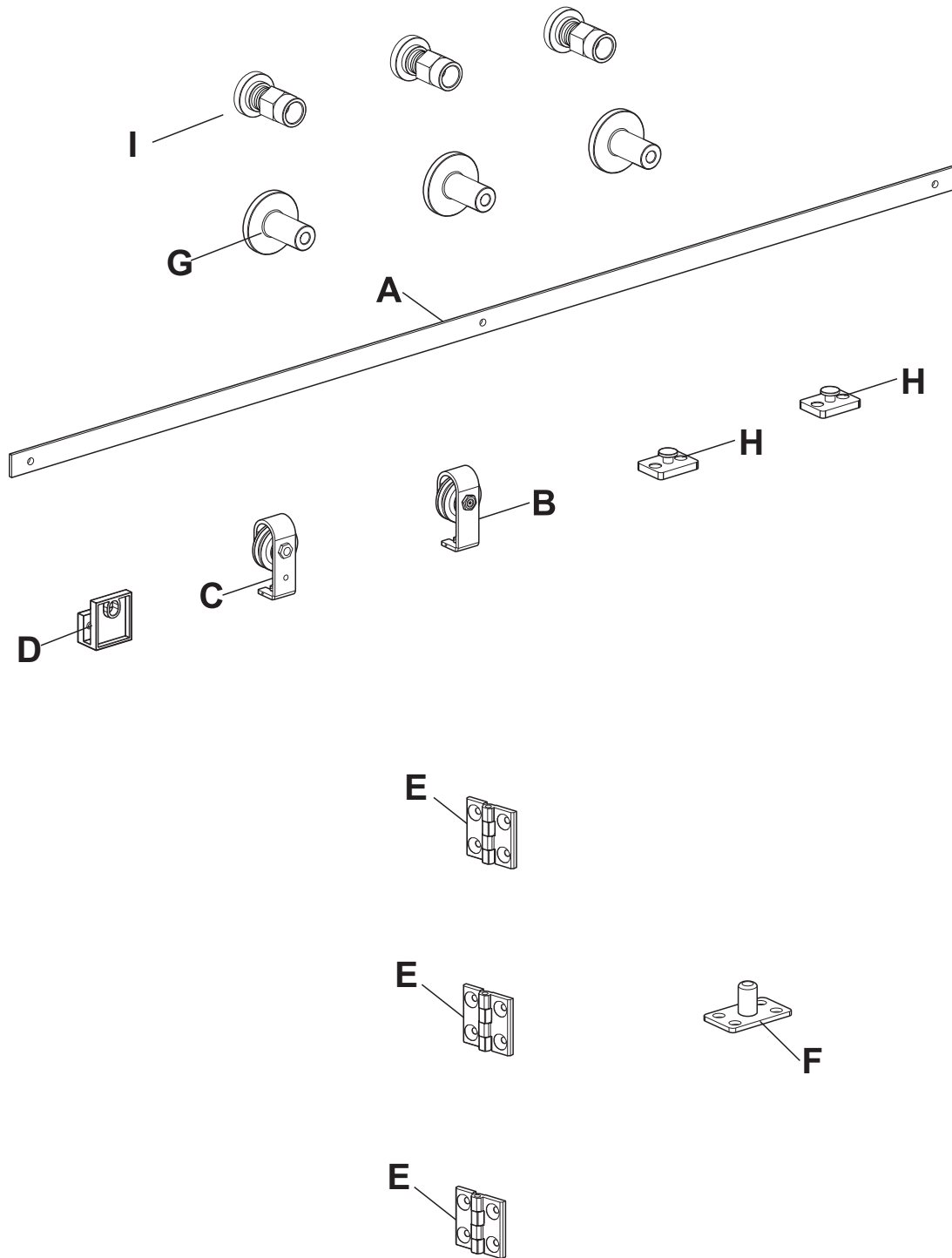


Installation Manual

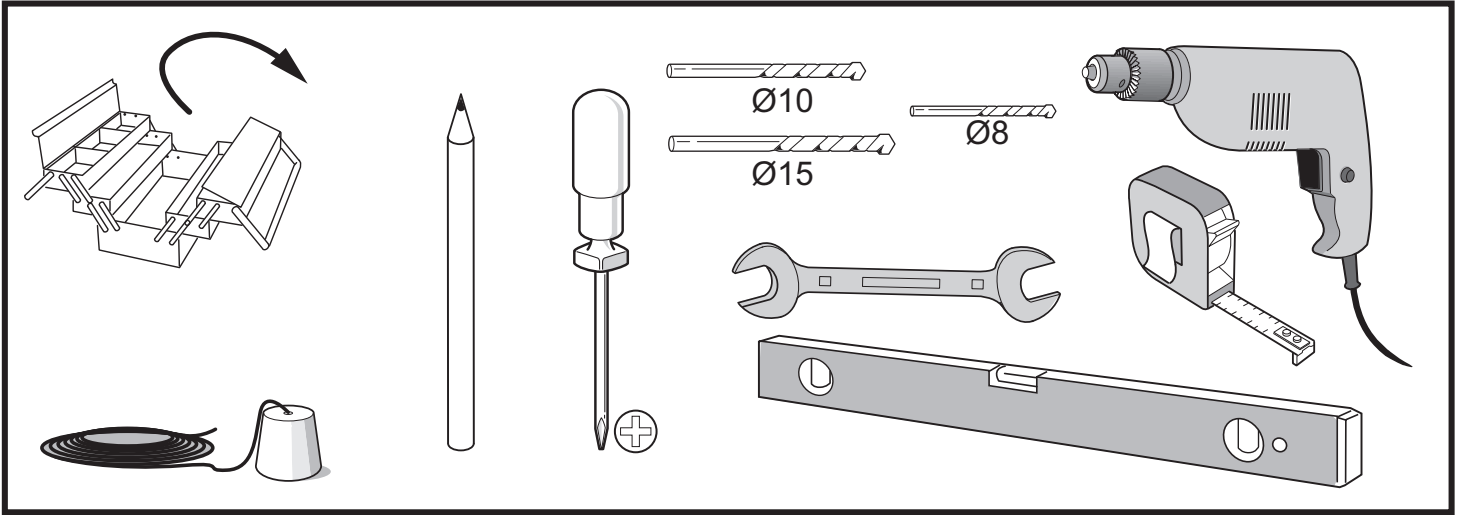


Components list



Pre-installation

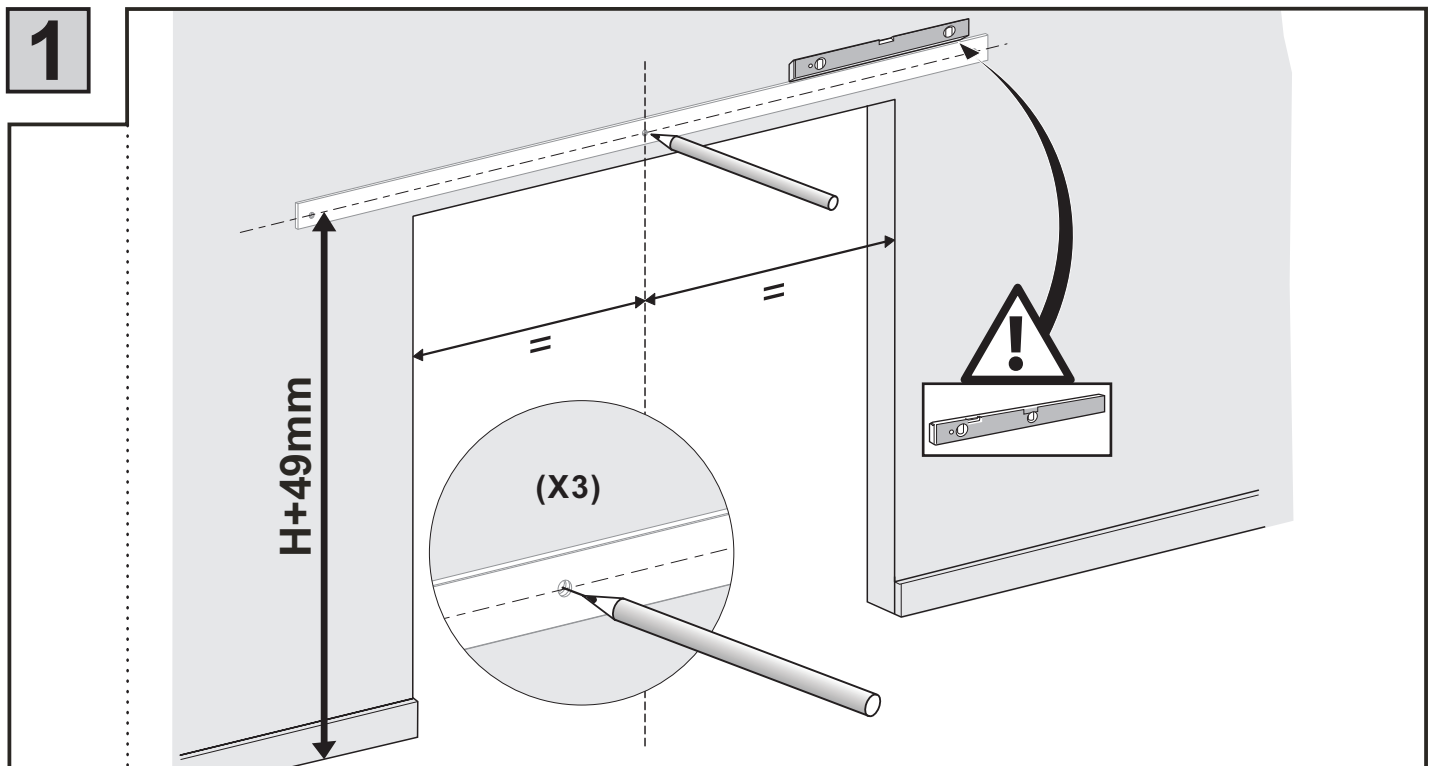
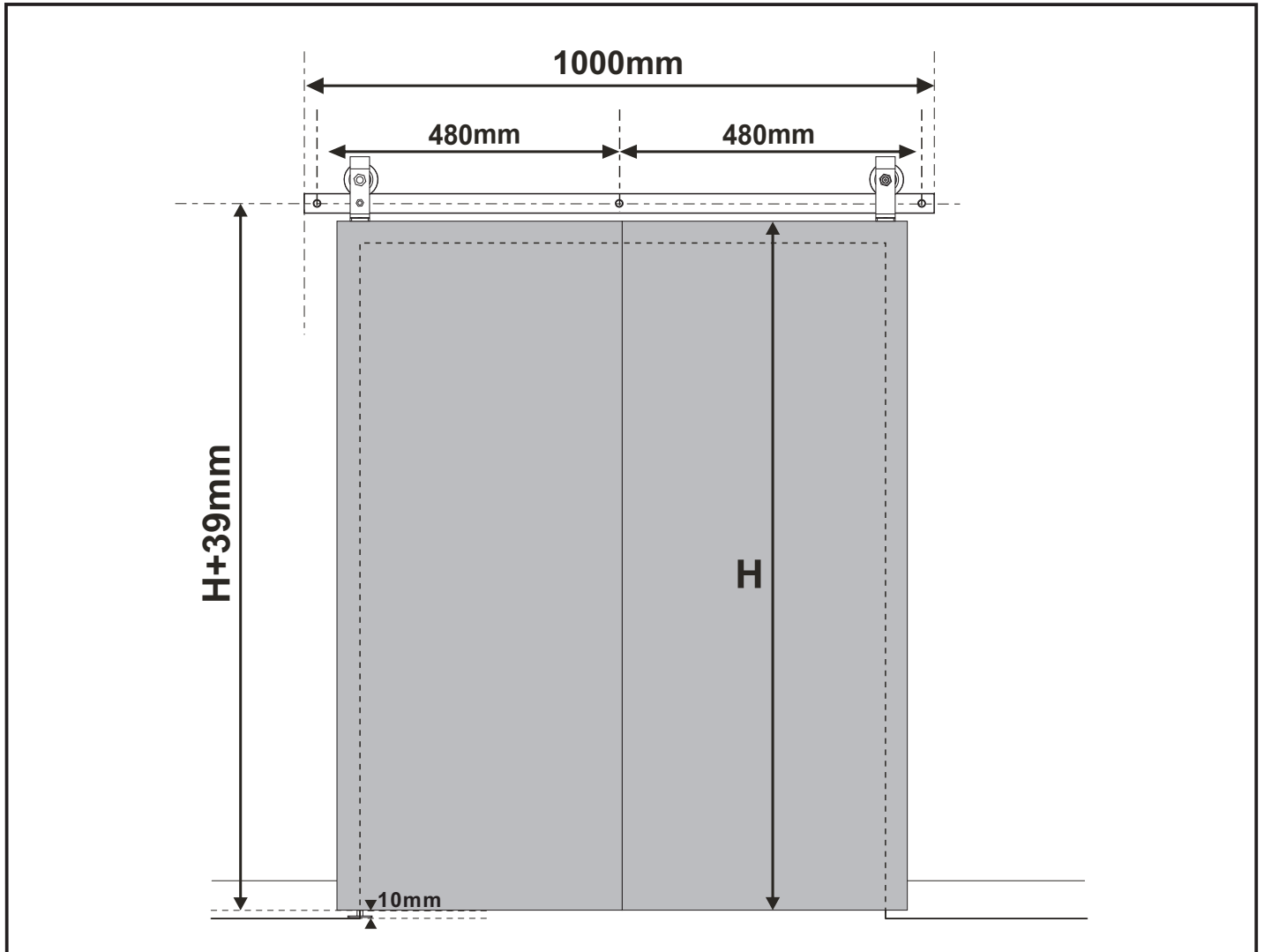
TOOLS REQUIRED



HARDWARE INCLUDED

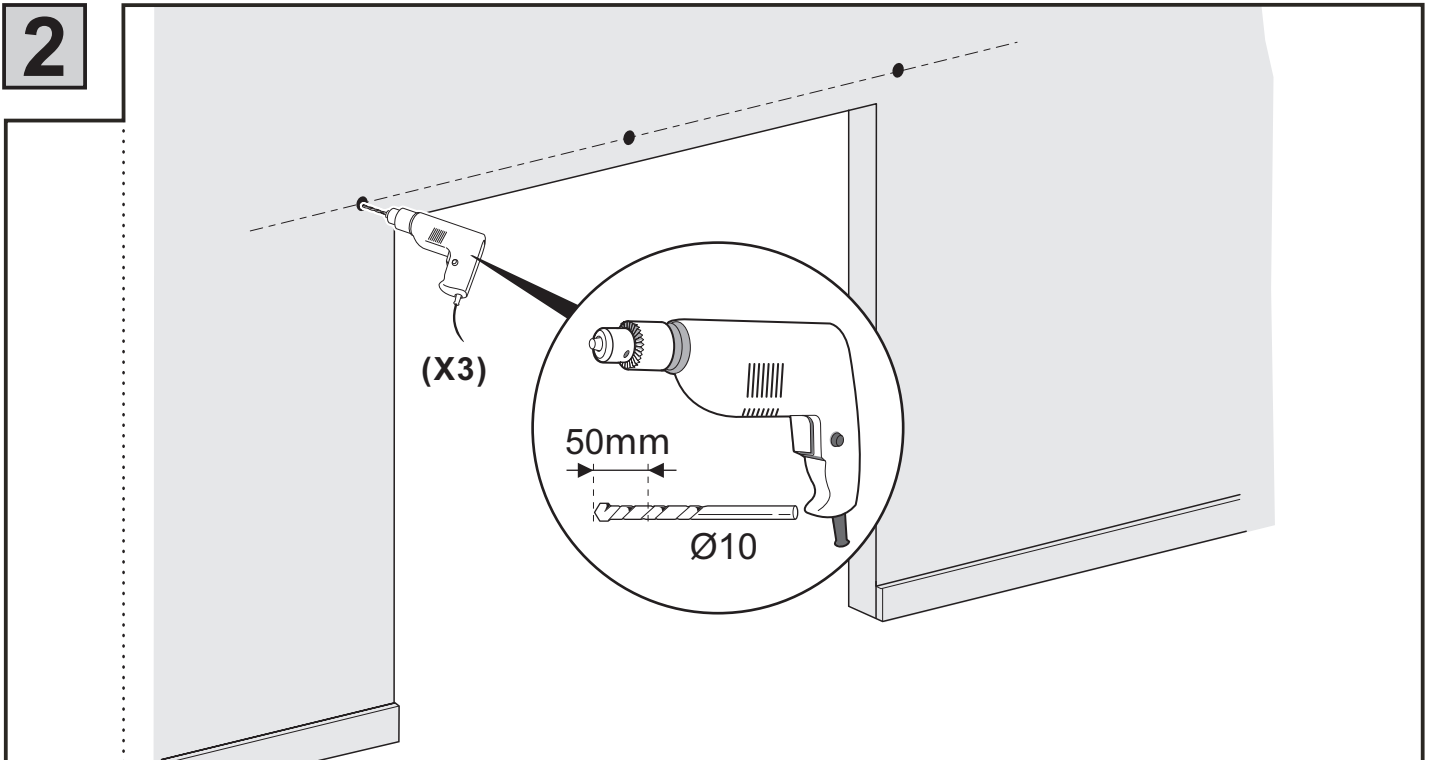
<p>A</p> <p>Ø10 (x3) (x3) M8x90(x3) (x1)</p>	<p>B</p> <p>(x1)</p>	<p>C</p> <p>(x1) M5x26(x1) (x1)</p>
<p>D</p> <p>(x1) M5x6(x2)</p>	<p>E</p> <p>(x3) M6x25(x12)</p>	<p>F</p> <p>(x1) (x1) Ø8 (x4) ST4.2x32(x4)</p>
<p>G</p> <p>(x3)</p>	<p>H</p> <p>(x2) ST4.8x50(x4)</p>	<p>I</p> <p>(x3) (x3)</p>
<p>J</p> <p>(x1)</p>		

Installation

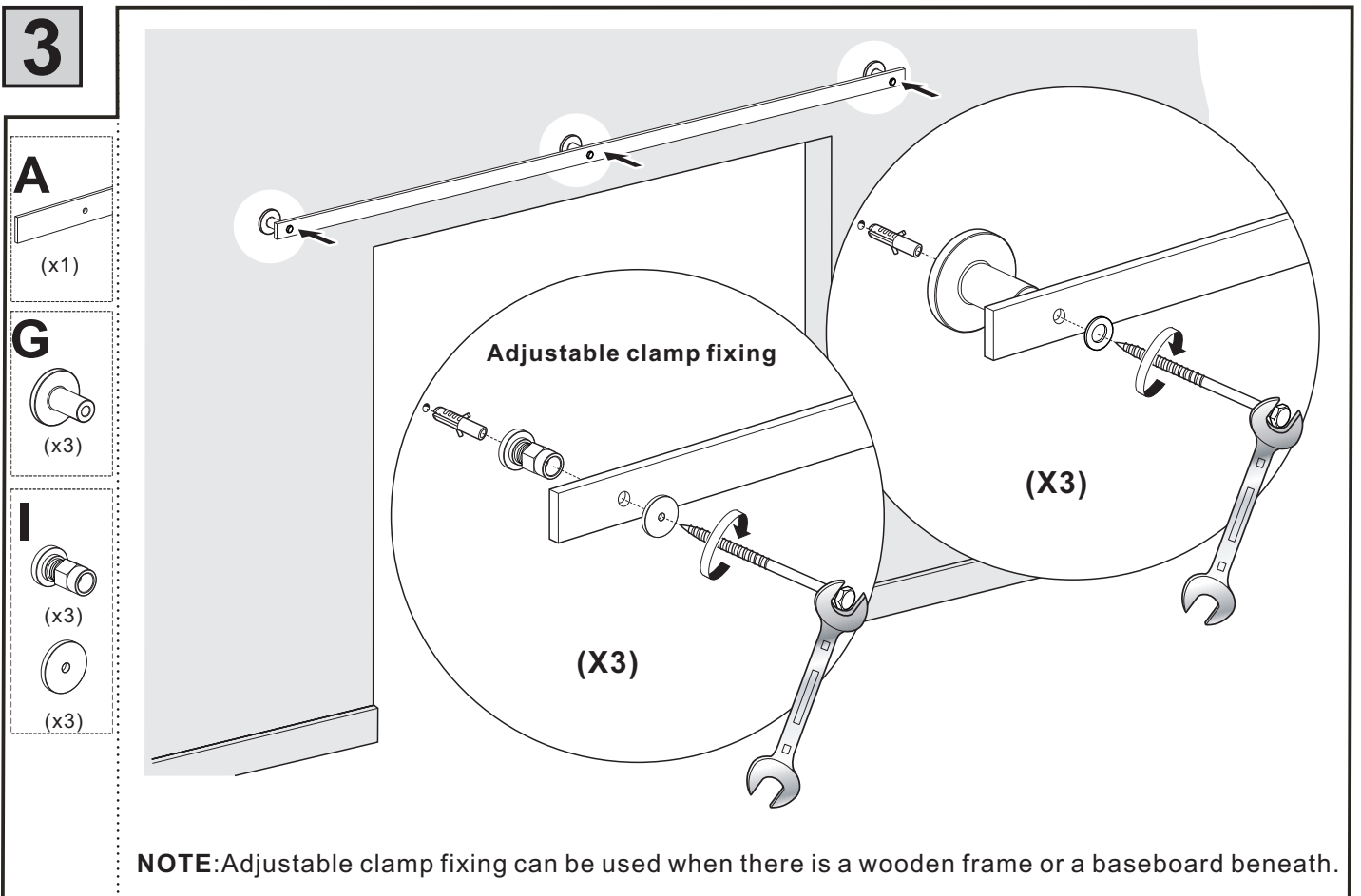


Installation

2

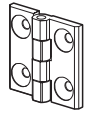


3



4

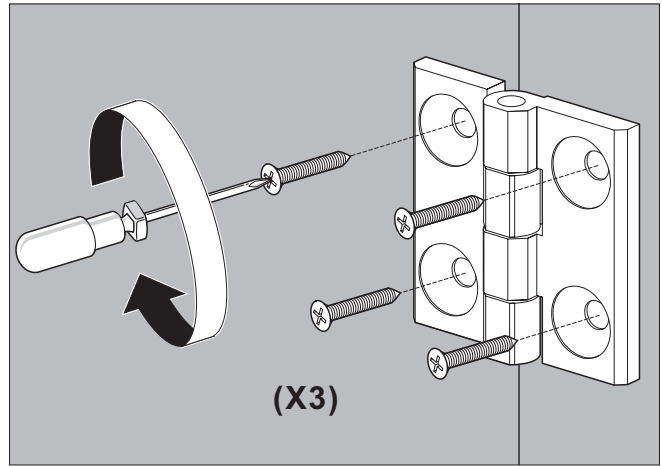
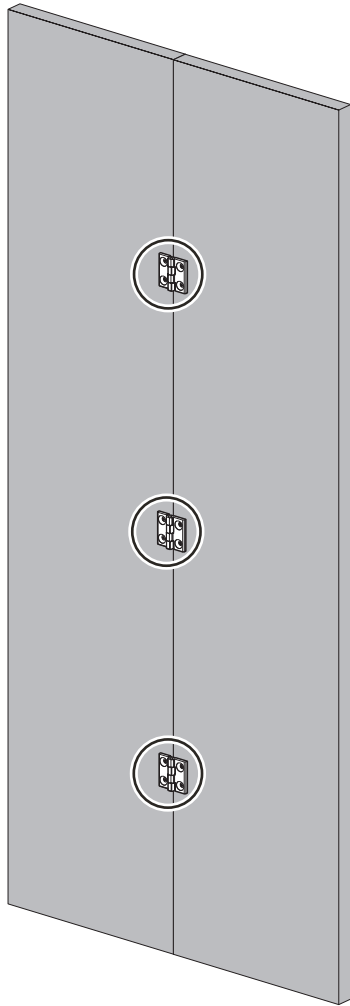
E



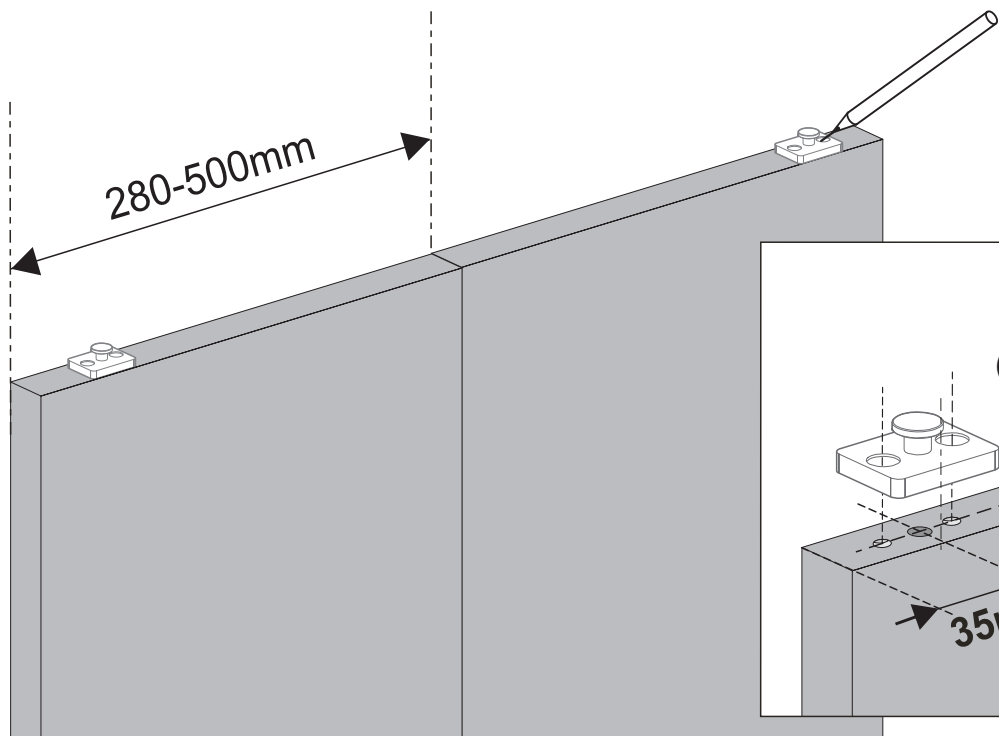
(x3)



M6x25
(x12)



5

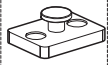


(X2)

35mm

6

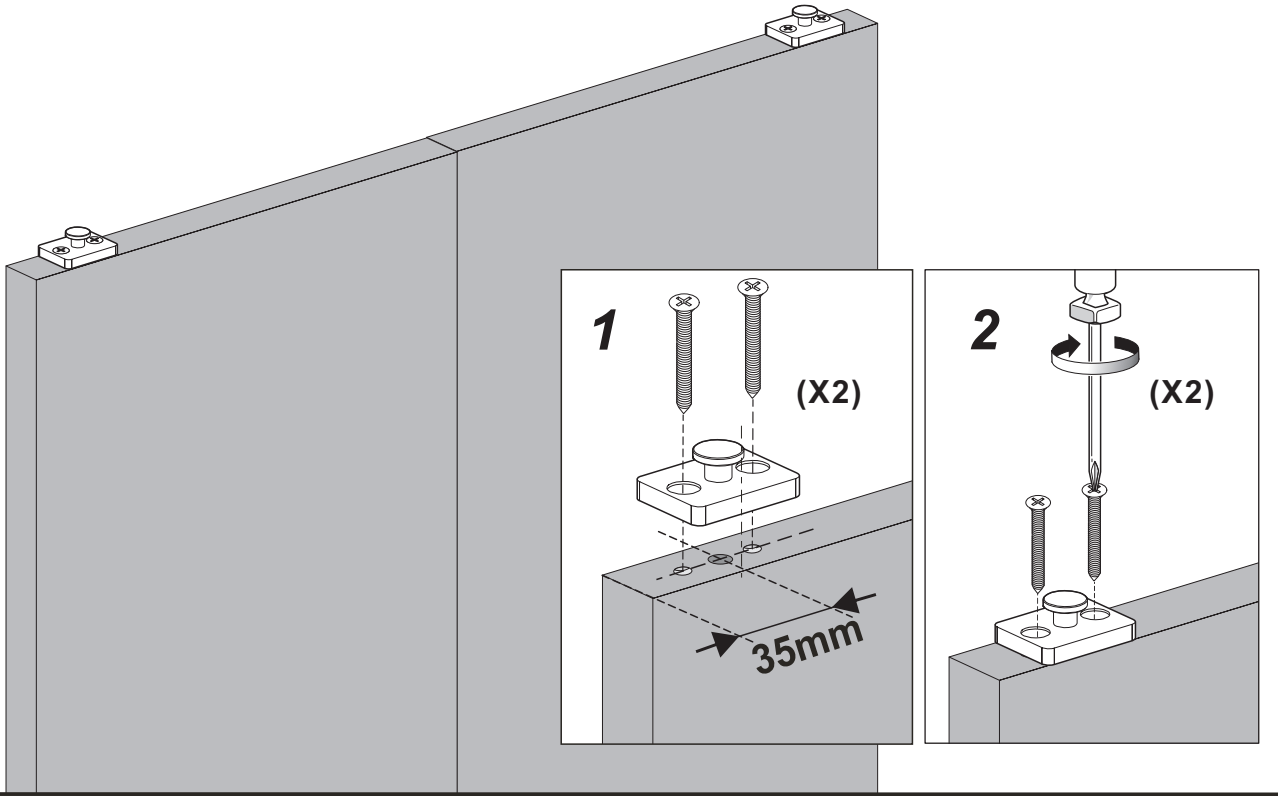
H



(x2)

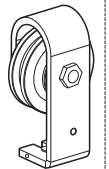


ST4.8X50
(x4)



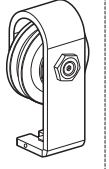
7

C

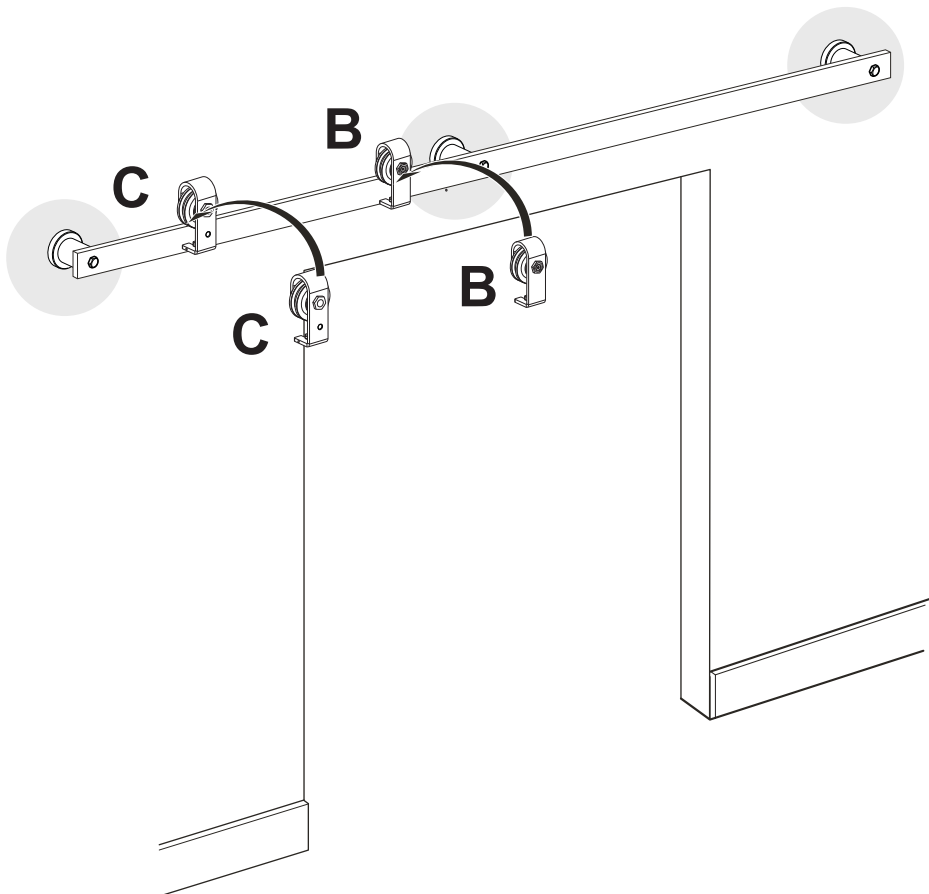


(x1)

B

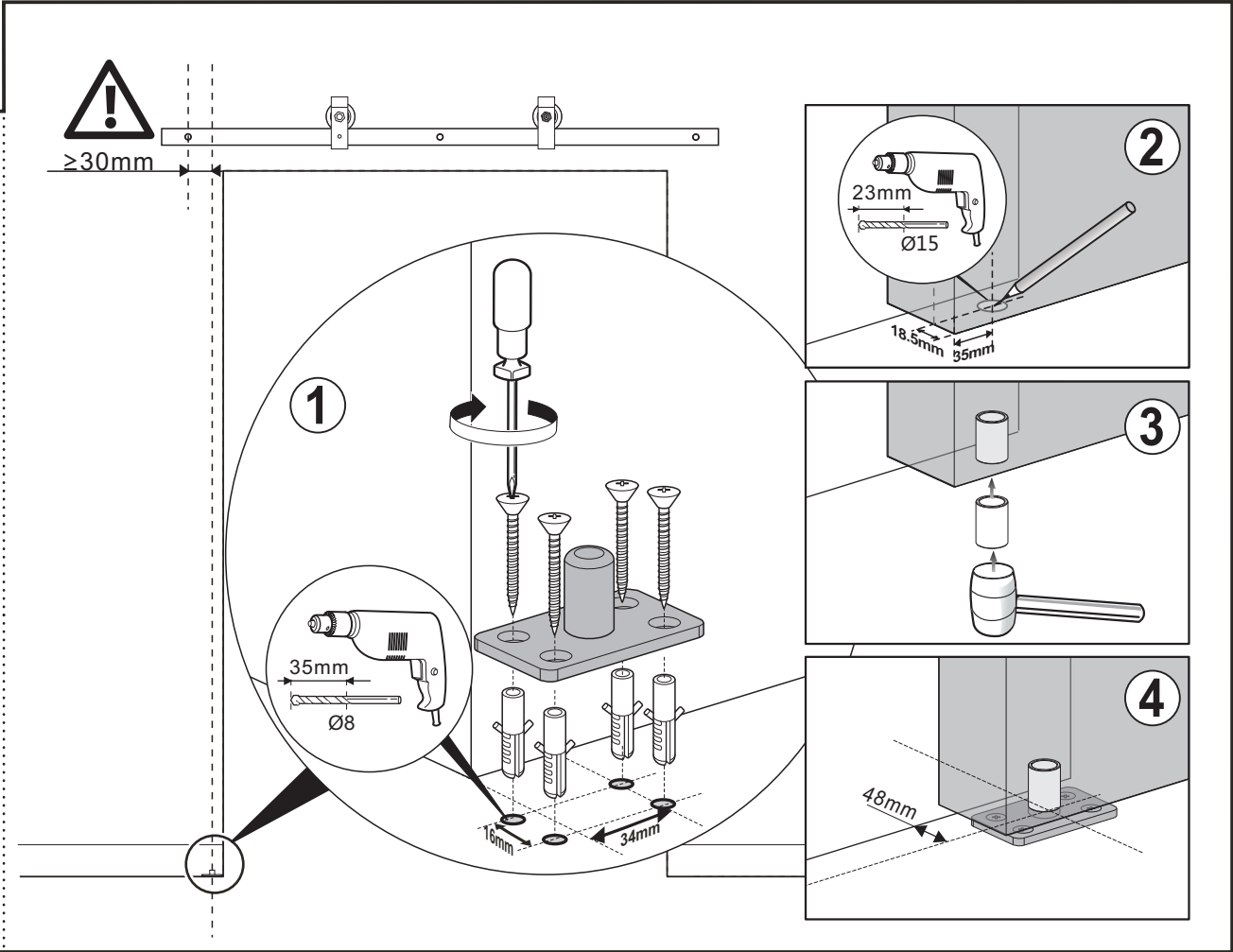


(x1)



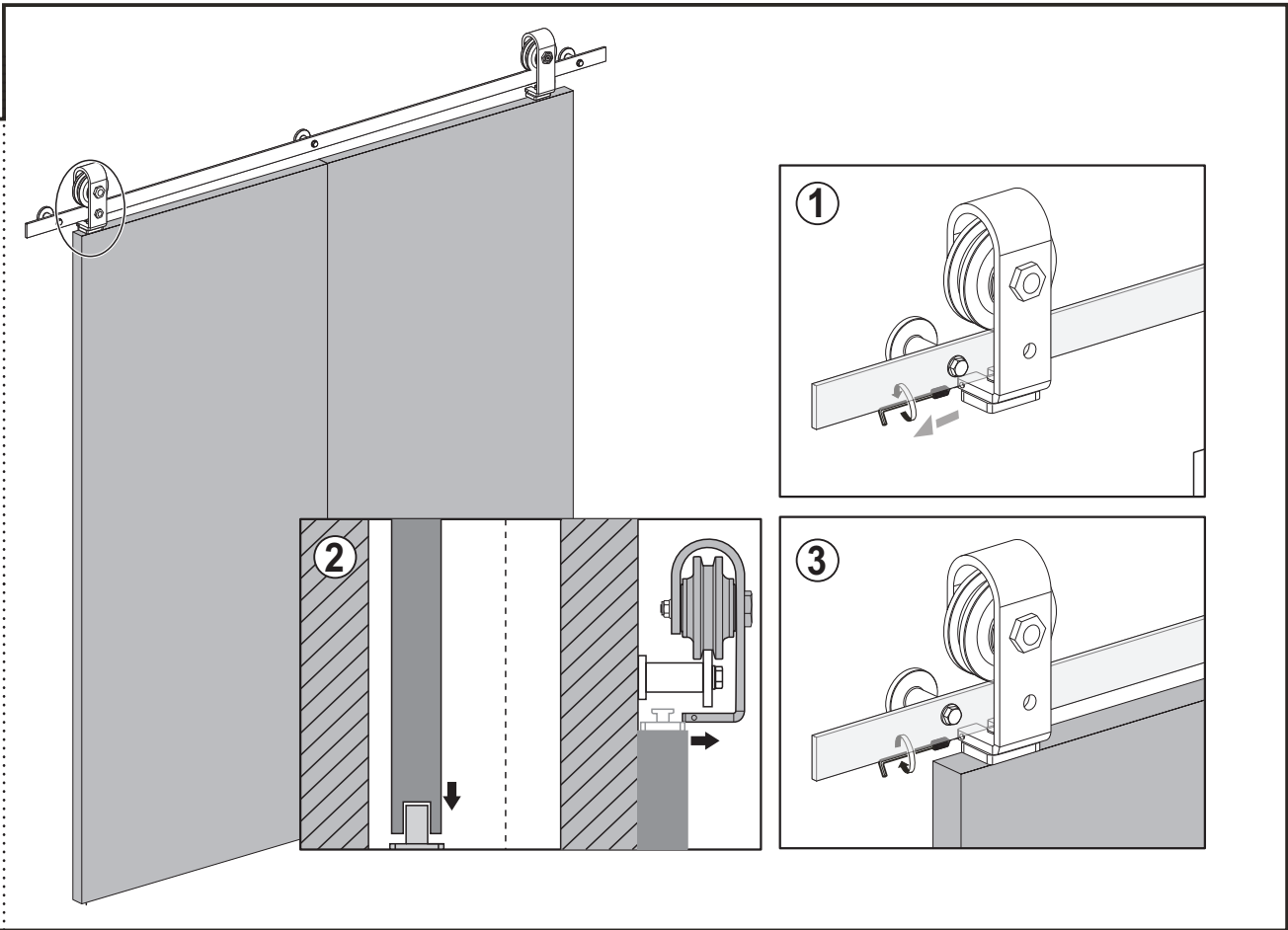
8

- F**
- (x1)
 - (x1)
 - ST4. 2X32 (x4)
 - Ø8 (x4)



9

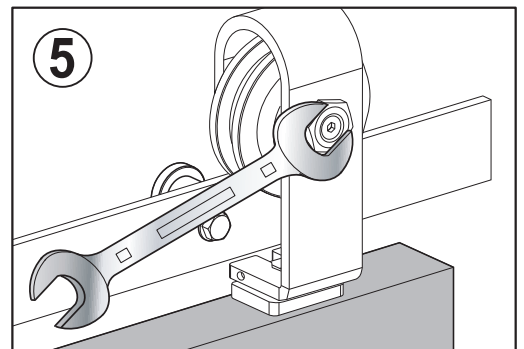
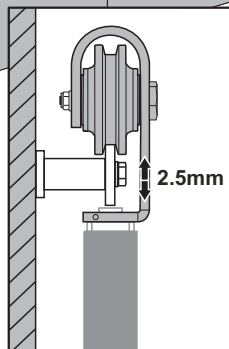
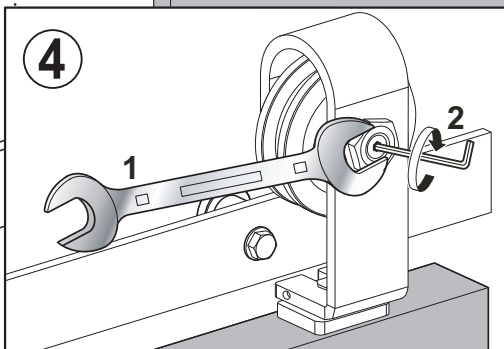
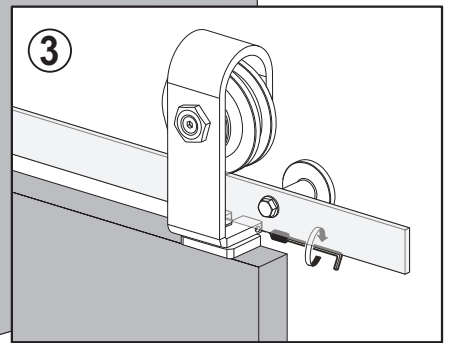
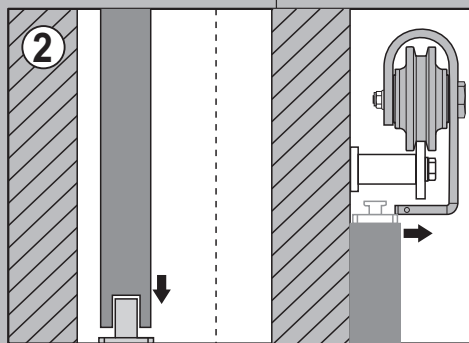
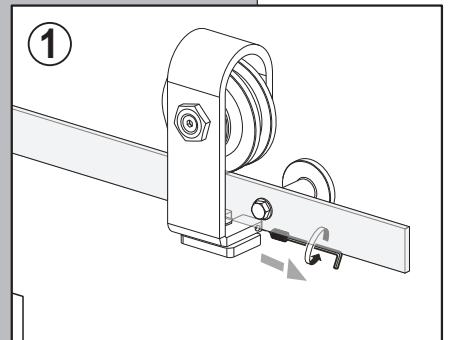
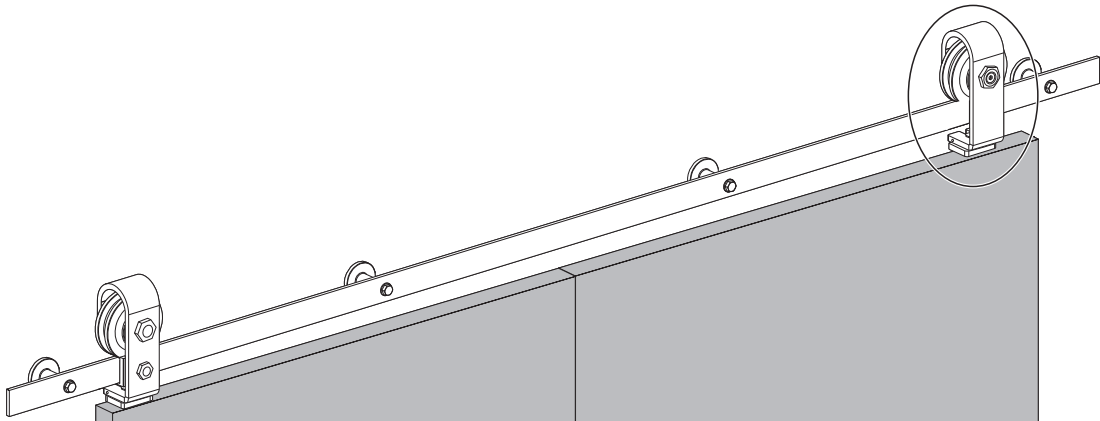
- C**
- (x1)



B



(x1)



C



M5x26
(x1)



(x1)

D



(x1)



M5x6(x2)

