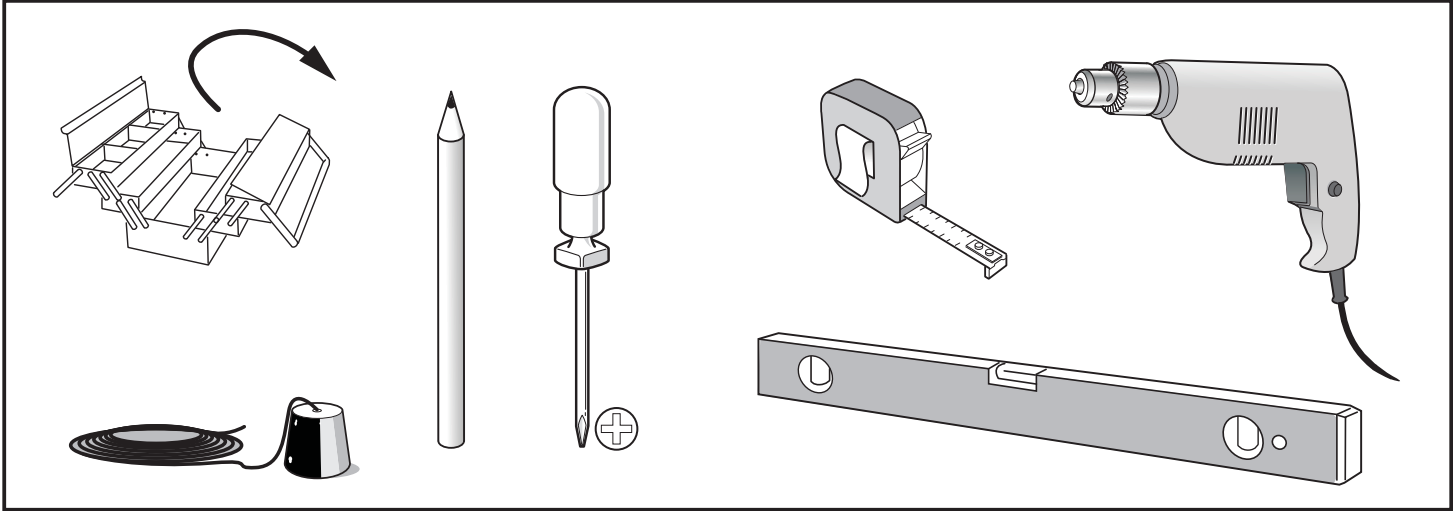
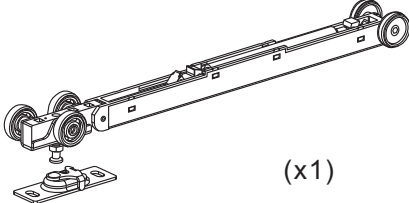
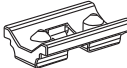
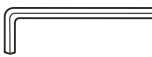


# Installation Manual

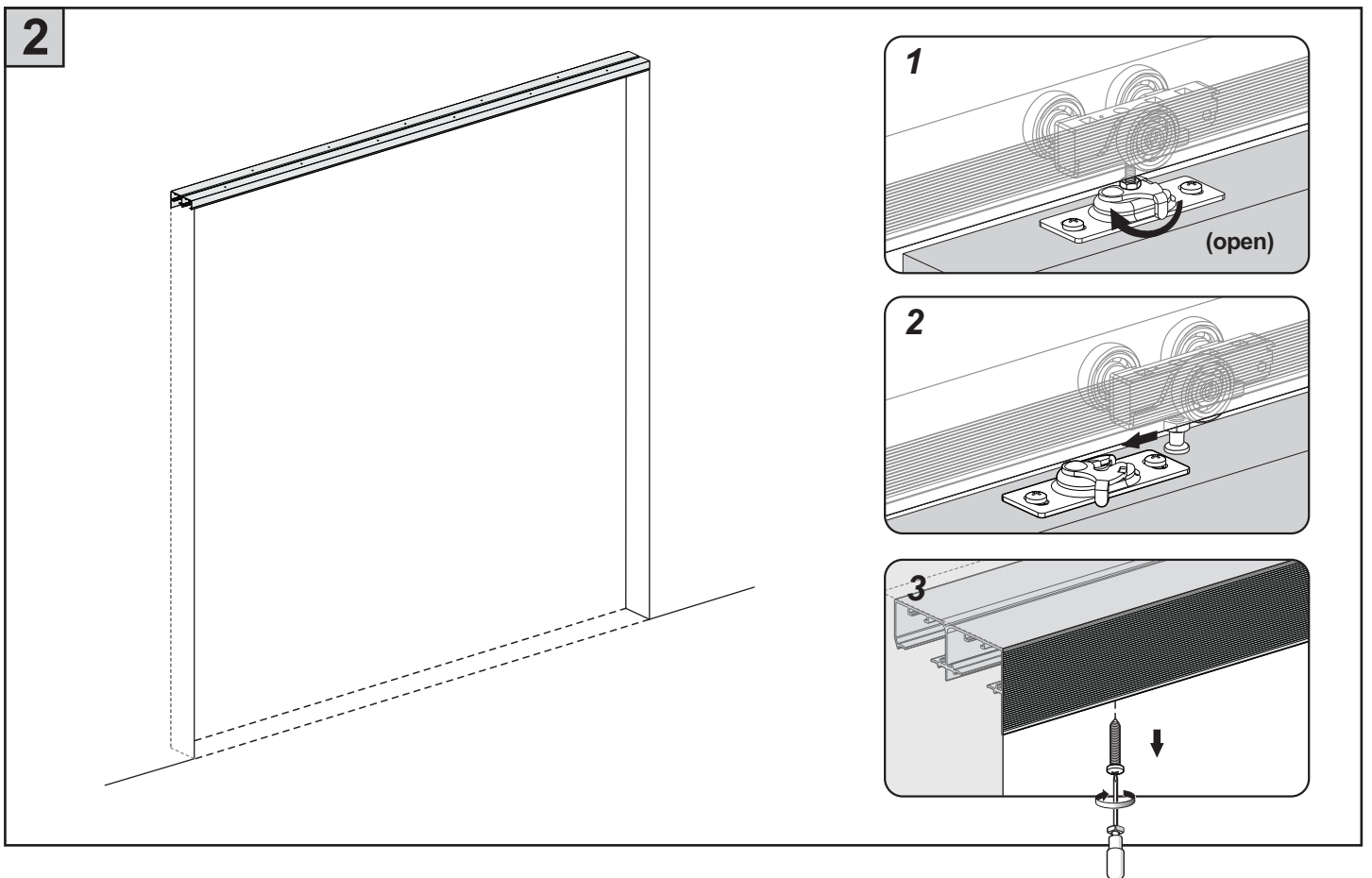
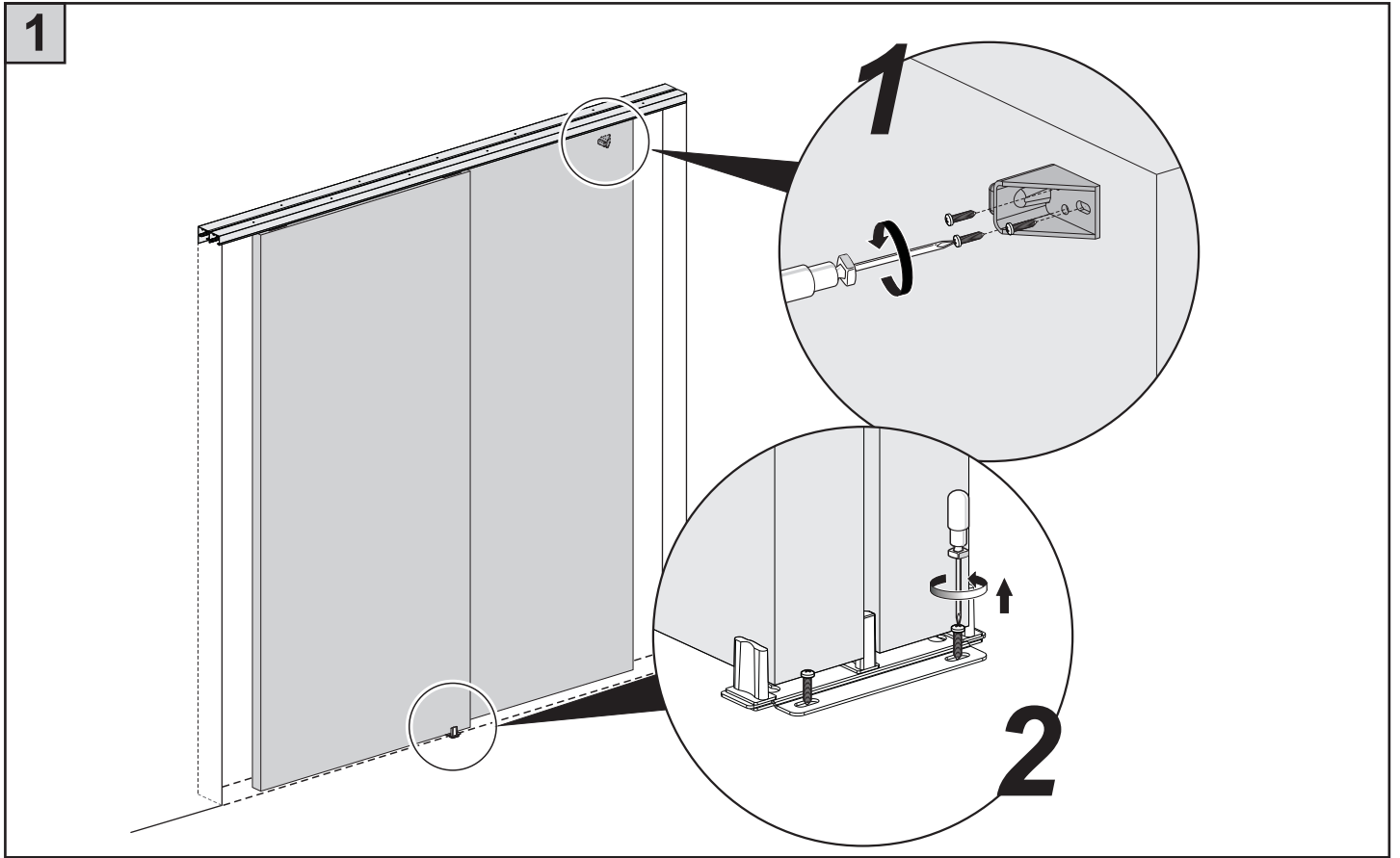
## TOOLS REQUIRED



## HARDWARE INCLUDED

 <p>(x1)</p>	 <p>(x2)</p>	 <p>(x1)</p>

# Installation

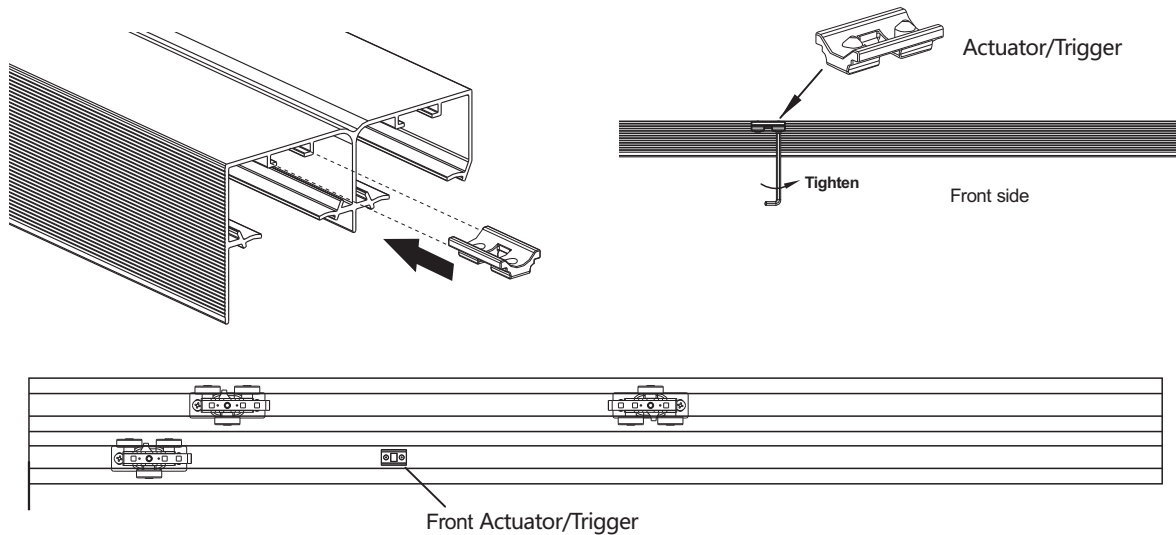


# Installation

To install the soft closer on the front door.

3

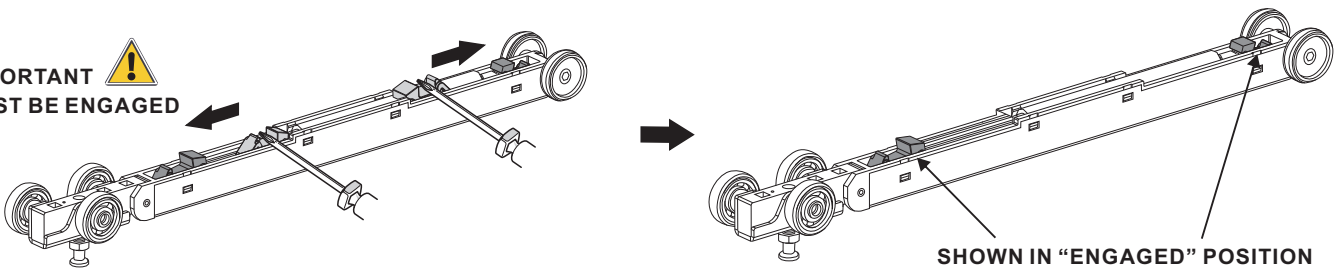
Place the 1st soft close actuator/trigger into the track.



4

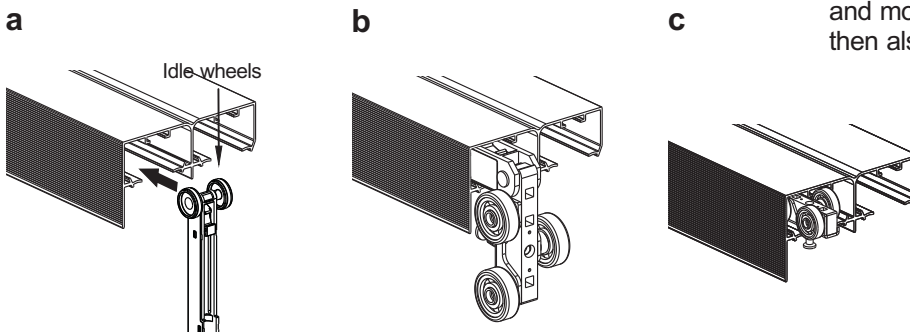
Pushing Soft Close Dampener trigger toward "engaged" positions on both side. **Important** : Dampener must be **engaged**, or soft close will not work. If installed incorrectly, Soft Close Dampener may be **damaged** and door will have to be removed, and the installation of Soft Close will have to restart again.

**IMPORTANT**   
**MUST BE ENGAGED**



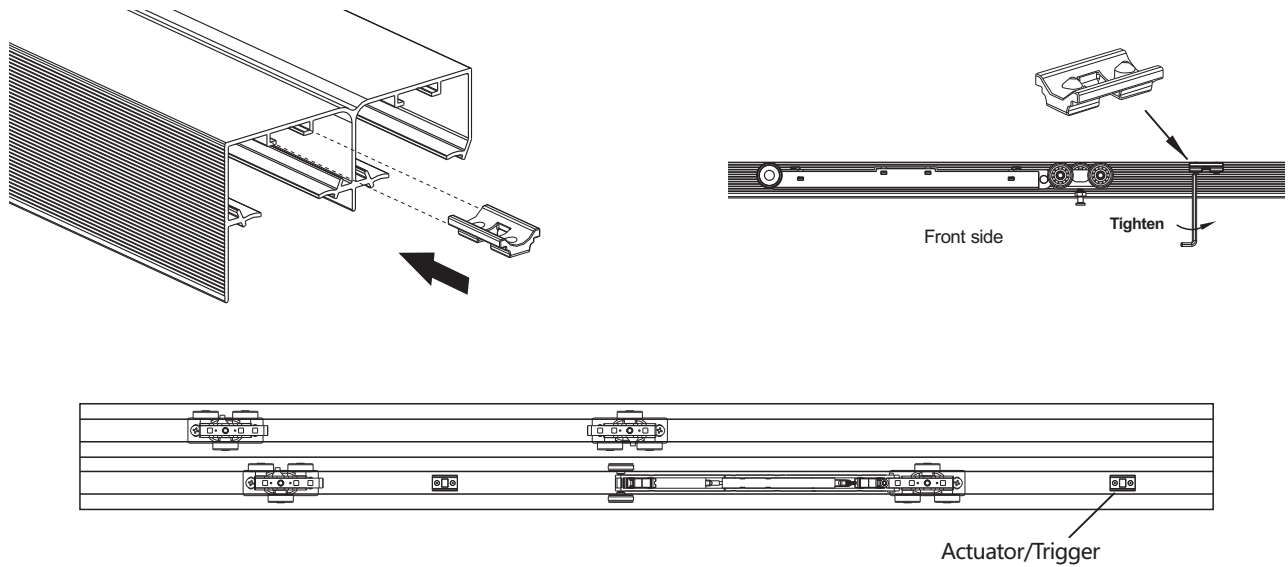
5

**Rotate** the hanger ( three wheel part ) to 90 ° and move soft close body first inside the track , then also move the hanger inside the track.



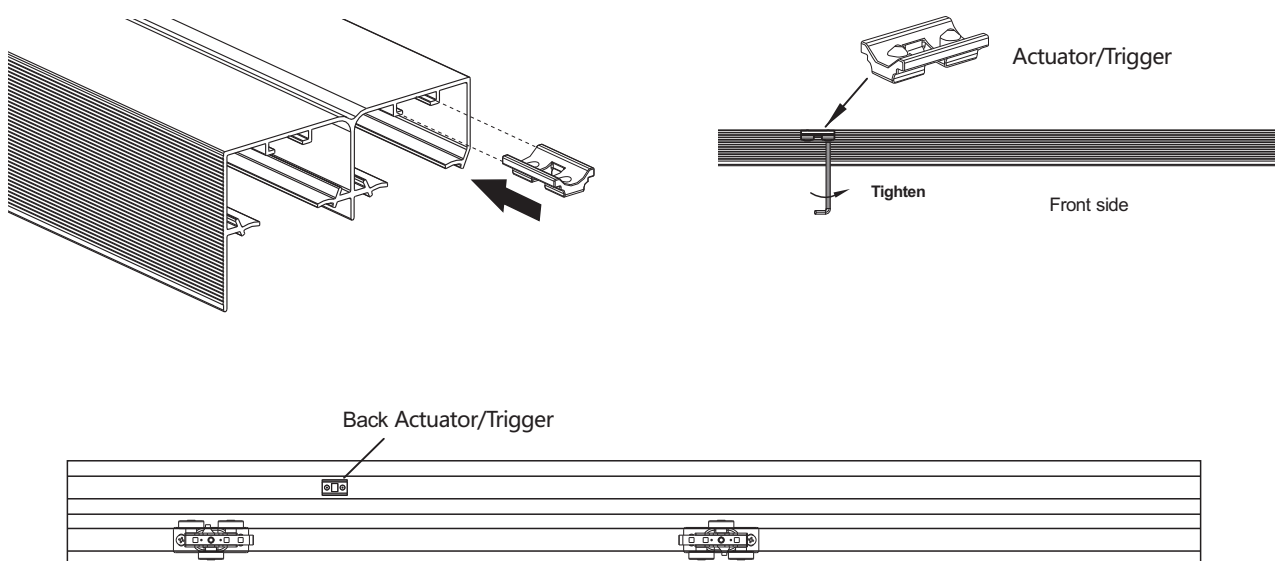
# Installation

**6** Place the 2nd soft close actuator/trigger into the track.



**To install the soft closer on the back door.**

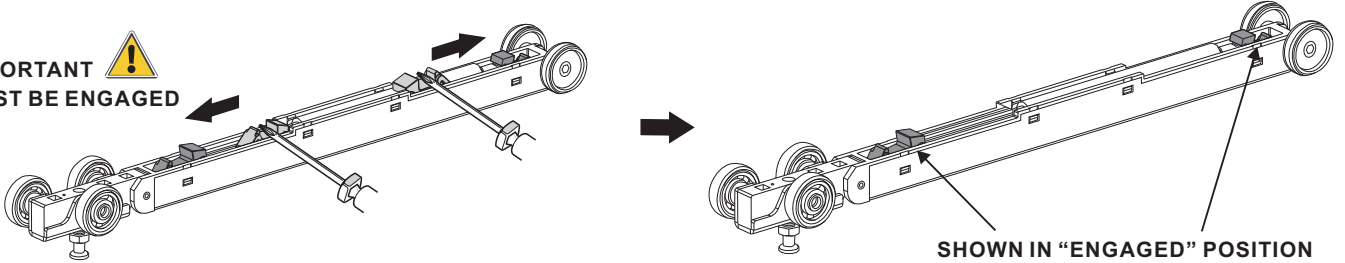
**3** Place the 1st soft close actuator/trigger into the track.



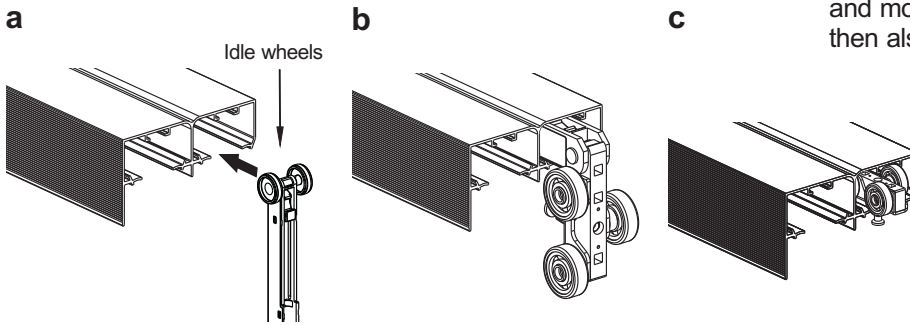
# Installation

- 4** Pushing Soft Close Dampener trigger toward "engaged" positions on both side. **Important** : Dampener must be **engaged**, or soft close will not work. If installed incorrectly, Soft Close Dampener may be **damaged** and door will have to be removed, and the installation of Soft Close will have to restart again.

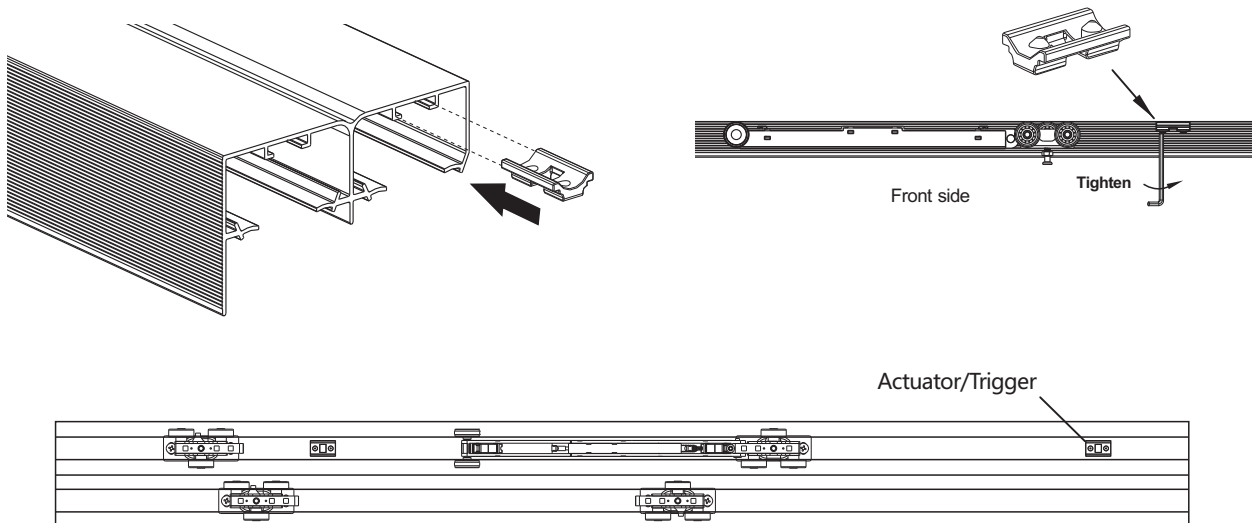
**IMPORTANT**  
MUST BE ENGAGED



- 5** **Rotate** the hanger ( three wheel part ) to 90 ° and move soft close body first inside the track , then also move the hanger inside the track.



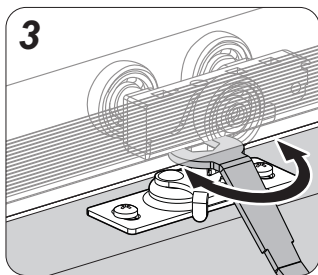
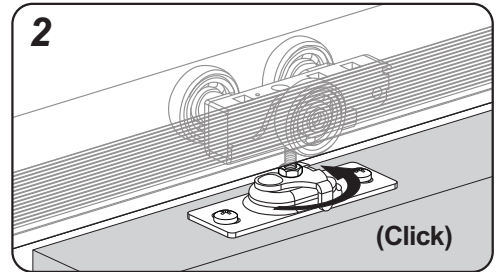
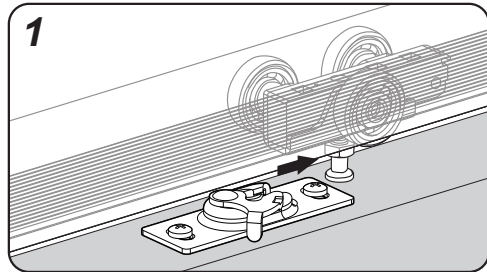
- 6** Place the 2nd soft close actuator/trigger into the track.



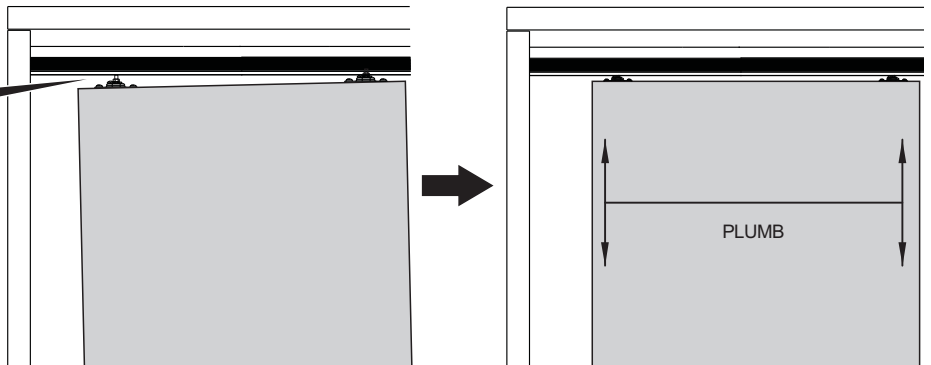
# Installation

7

**Hang Doors.** Start with front door first. Slide pivot pin of hanger into socket and click the tab in place. Check for smooth travel. Repeat with rear door.



Use spanner to adjust door height



8

**Open and close the door to adjust the trigger position.**

